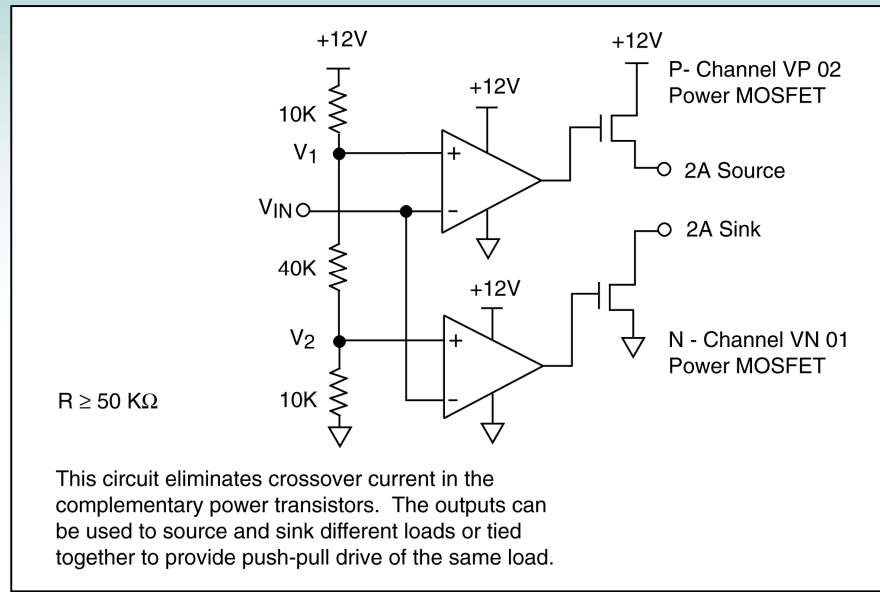




**Push-Pull Complementary Power MOSFET Driver**



**Description**

This window comparator has 2 limits, a lower limit and an upper limit, which can produce up to 2 separate outputs, each dedicated to a warning and/or an alarm condition. Each of the  $V_1$  and  $V_2$  outputs is a separate independent signal, which is used to drive a power MOSFET. Note that this circuit works well with push-pull types of voltage comparator output. An output resistor may be added from the output of the comparator to  $V+$  to boost the pull-up current necessary to speed up the turning-on or turning-off the power MOSFETs. This output resistor will add power consumption whenever the comparator output is in a low state.

**Recommended Components**

- ALD2302 for push-pull outputs
- ALD2321 for high precision applications

**Other Related Circuit Ideas**

Schematic no. cd\_23002.0 Dual Limit Window Comparator