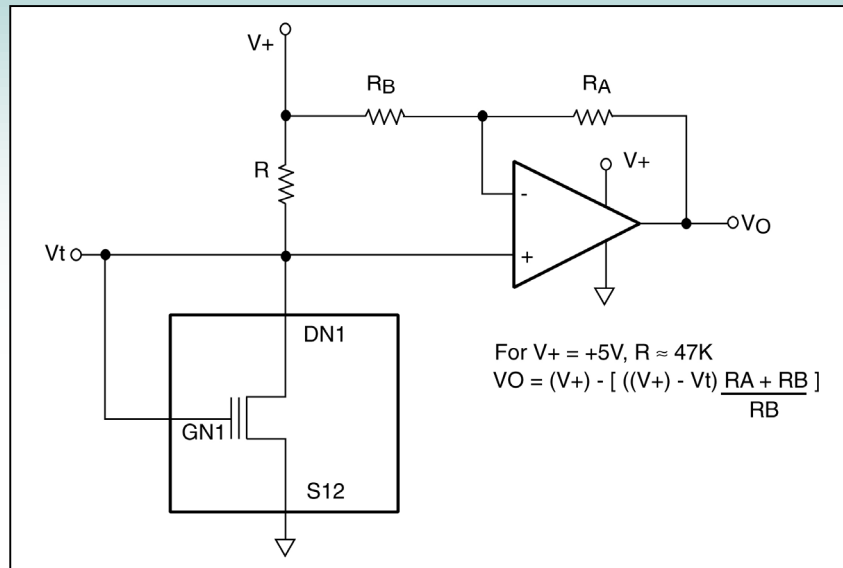




Amplify and Shift EPAD® MOSFET Output with an Operational Amplifier



Description

This circuit shows an EPAD MOSFET and resistor network with an output that can be scaled to any desired voltage V_O . By careful selection of the EPAD MOSFET and resistor values as well as resistor characteristics, it is possible to have an output designed to provide a specific value and have a set of specific characteristics, such as linear or non-linear temperature dependence.

Recommended Components

¼ ALD1108E, ½ ALD110908, or any of the EPAD MOSFETs
 ALD1712, ALD1721, ALD1722, ALD1726

Other Related Circuit Ideas

Schematic no. fet_11110.0 Select V_O by Using EPAD Transistor and Resistor Ratios