

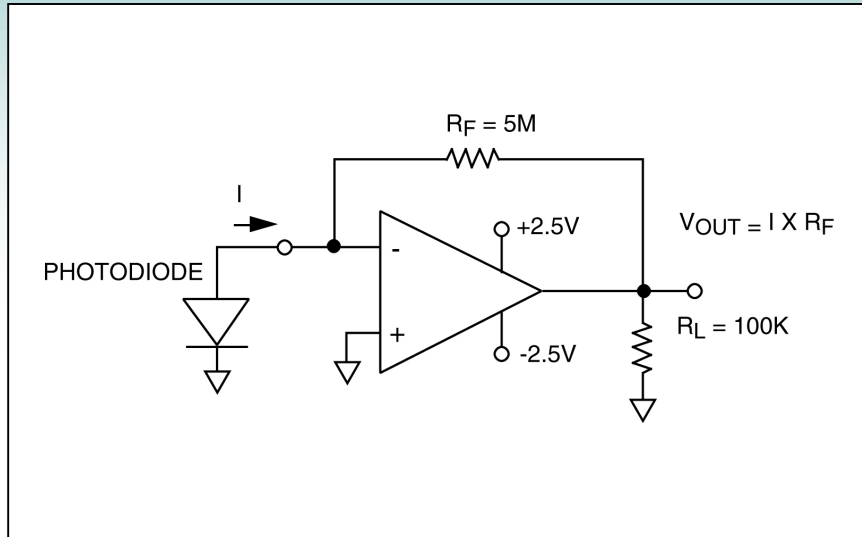


Category: Current to Voltage Converters

CIRCUIT IDEAS FOR DESIGNERS

Schematic no. iv_17001.0

+/- 2.5V Current to Voltage Converter



Description

This current to voltage converter rely on the very high input impedance of the operational amplifier. The input current (I) is forced through feedback resistor (RF), and generates an output voltage equal to $(-I \times R_F)$. This output voltage is valid for output voltages from rail to rail, namely, from $-2.5V$ to $+2.5V$ in this example.

Recommended Components

ALD1701, ($\frac{1}{2}$ ALD2701 or $\frac{1}{4}$ ALD4701), ALD1702, ($\frac{1}{2}$ ALD2702 or $\frac{1}{4}$ ALD4702)
ALD1706, ($\frac{1}{2}$ ALD2706 or $\frac{1}{4}$ ALD4706)

Other Related Circuit Ideas